

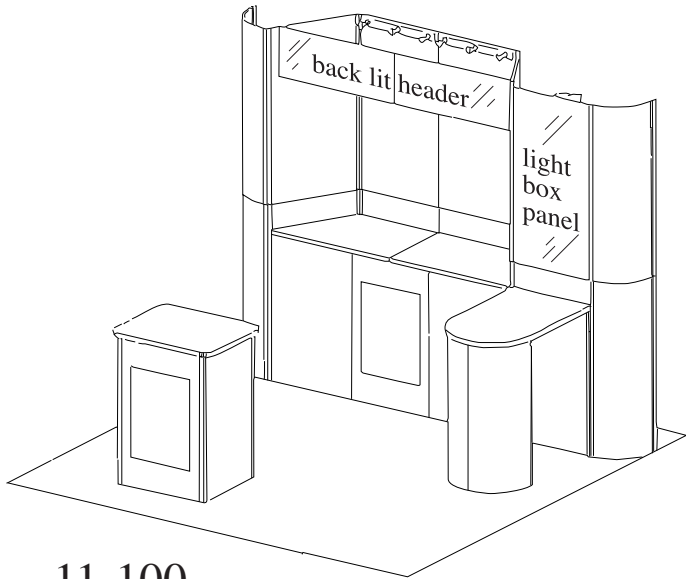


MODULAR PANEL SYSTEMS

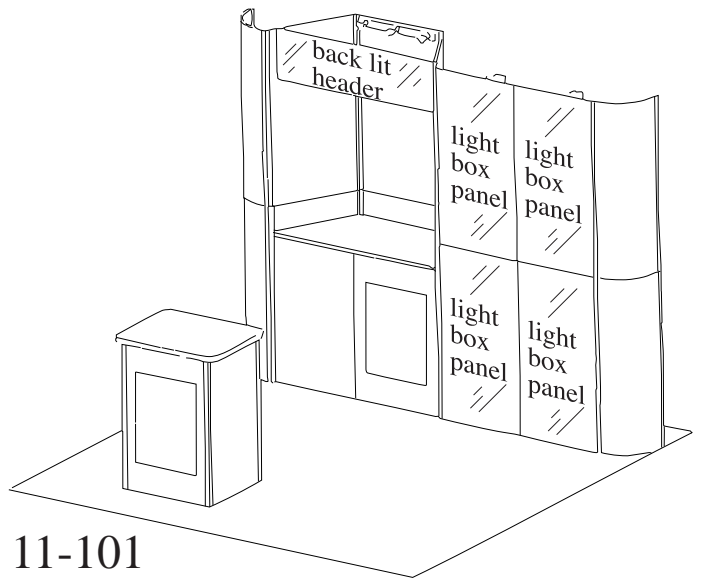




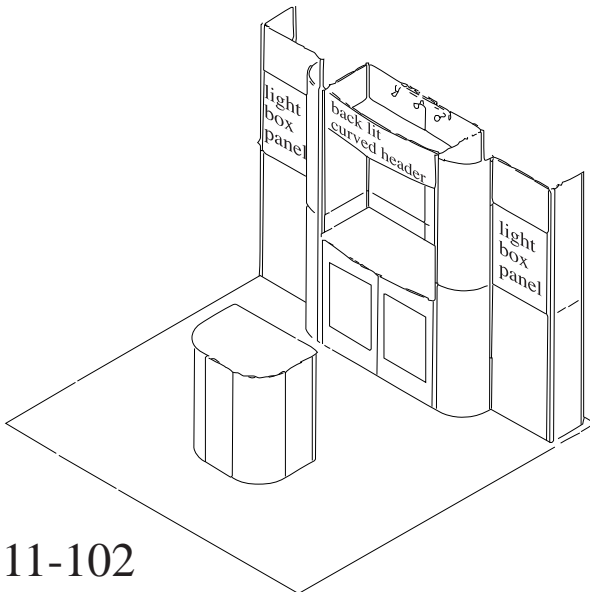
MODULAR PANEL SYSTEMS



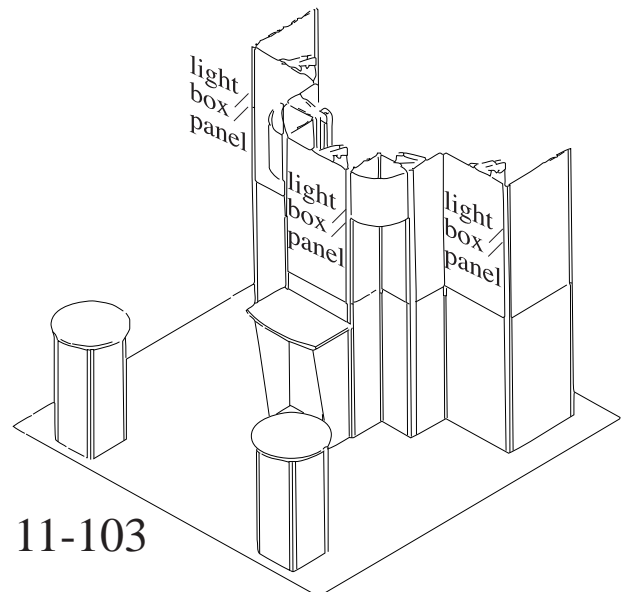
11-100



11-101



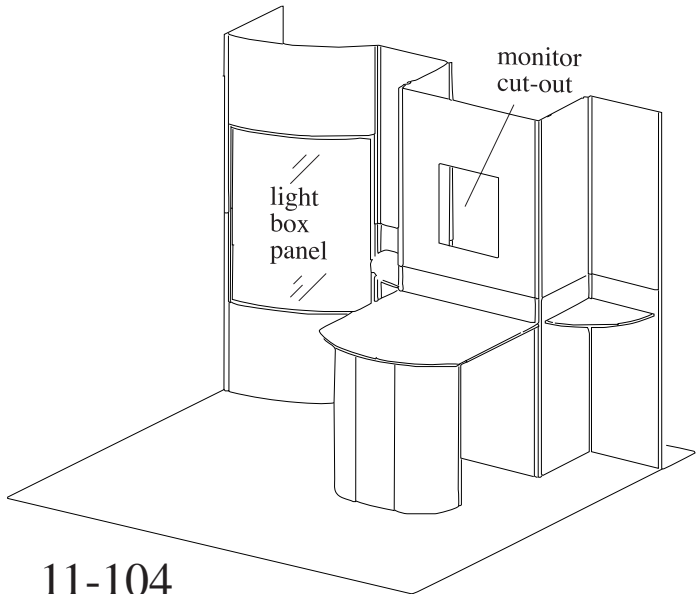
11-102



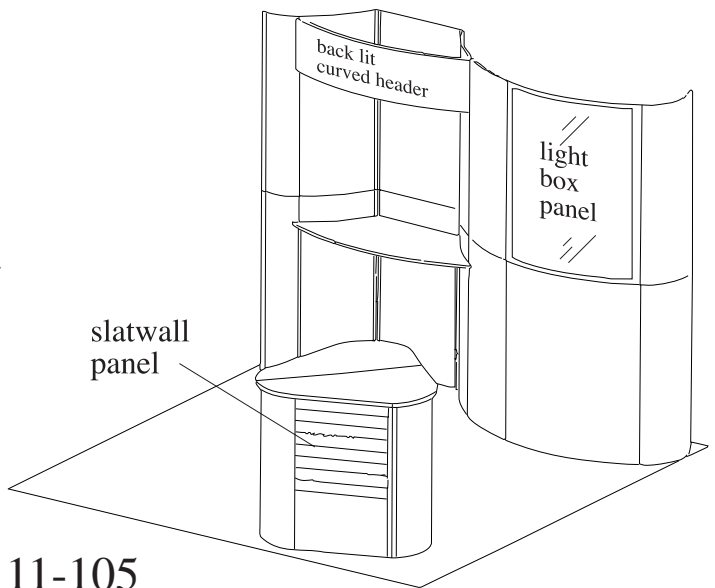
11-103



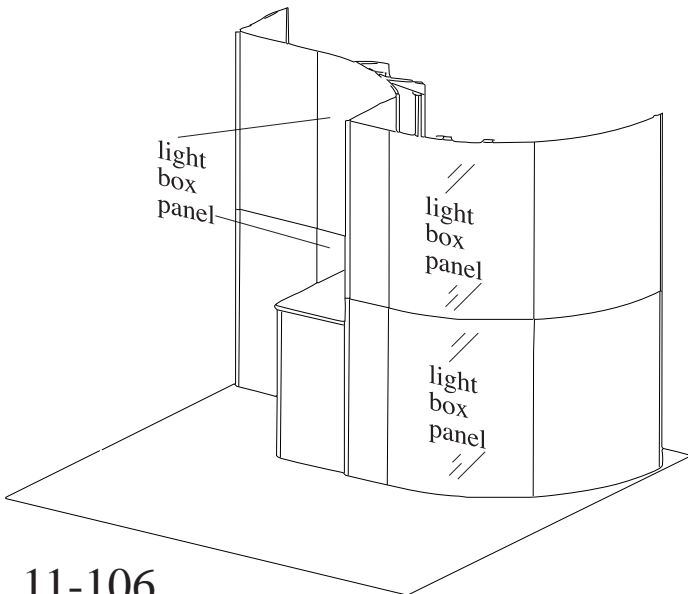
MODULAR PANEL SYSTEMS



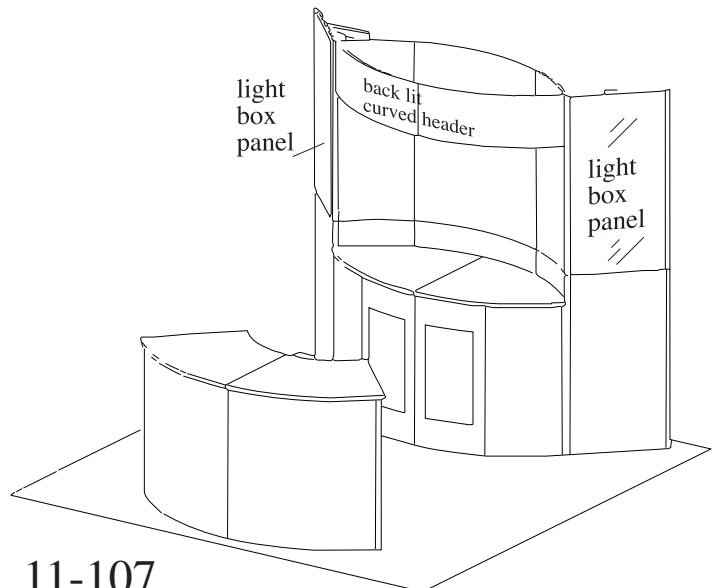
11-104



11-105



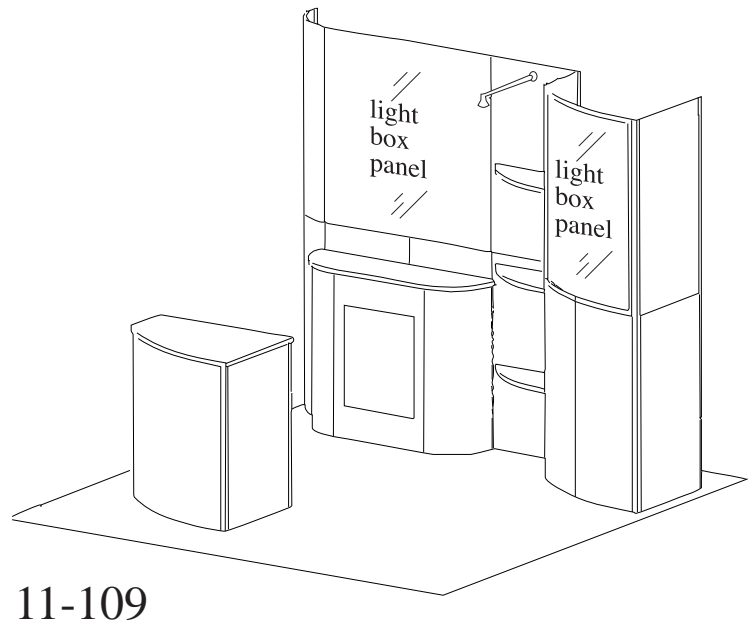
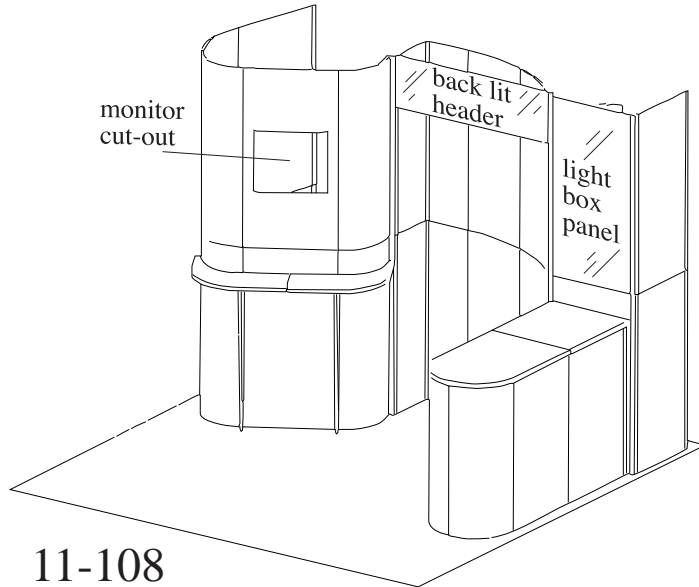
11-106

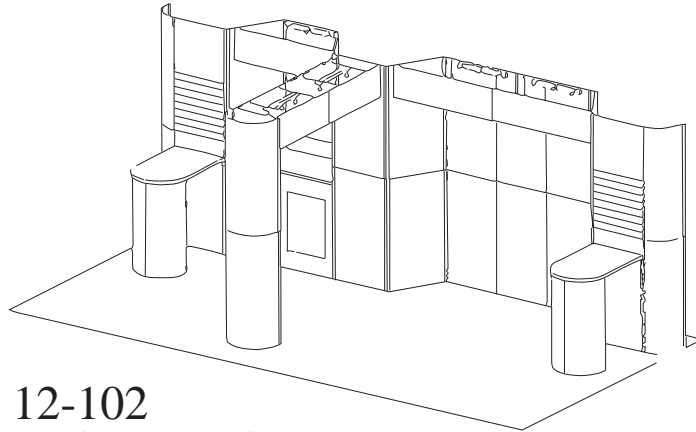


11-107



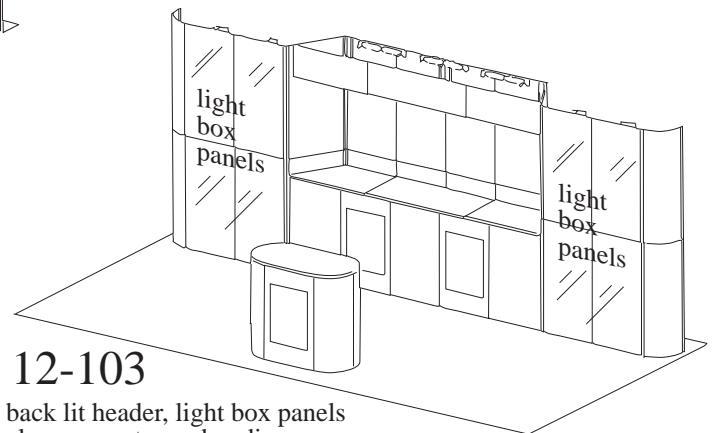
MODULAR PANEL SYSTEMS





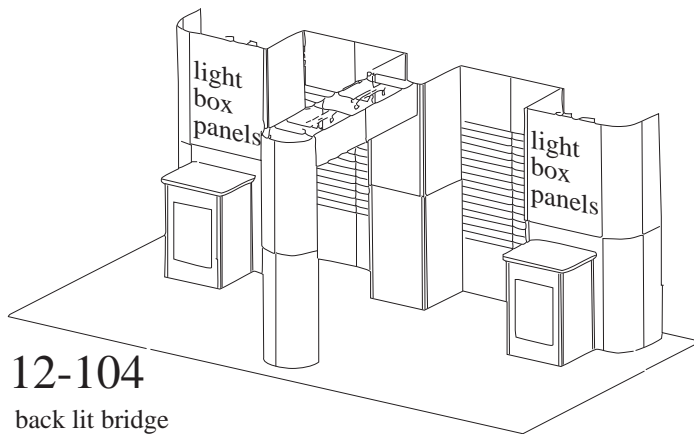
12-102

back lit header and bridge
slat wall panels, alcove & counter



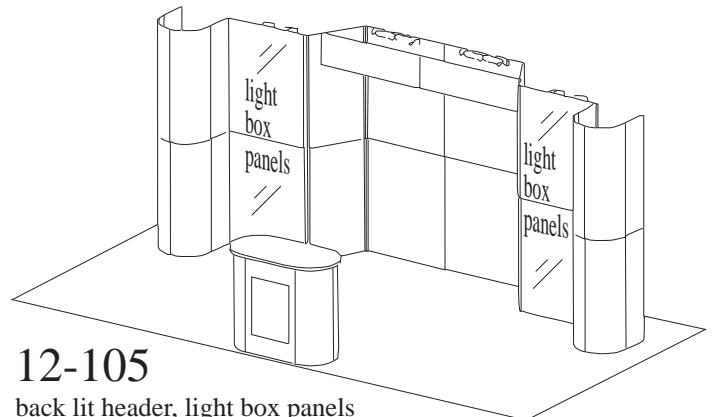
12-103

back lit header, light box panels
alcove counter and podium



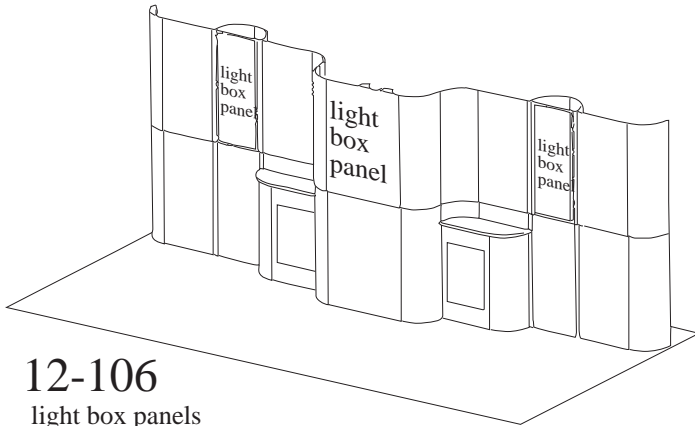
12-104

back lit bridge
slat wall panels & counters

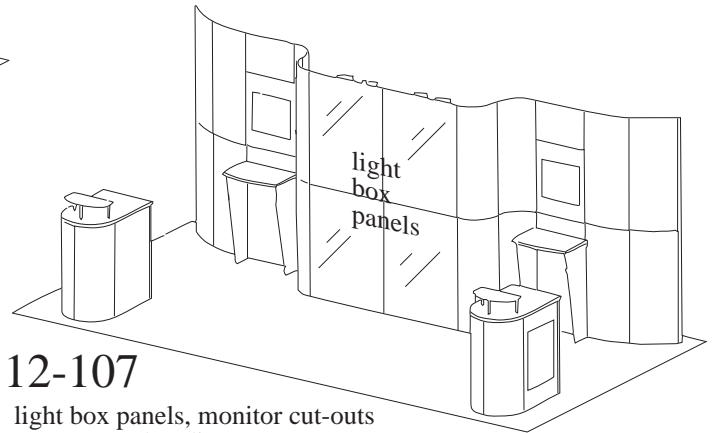


12-105

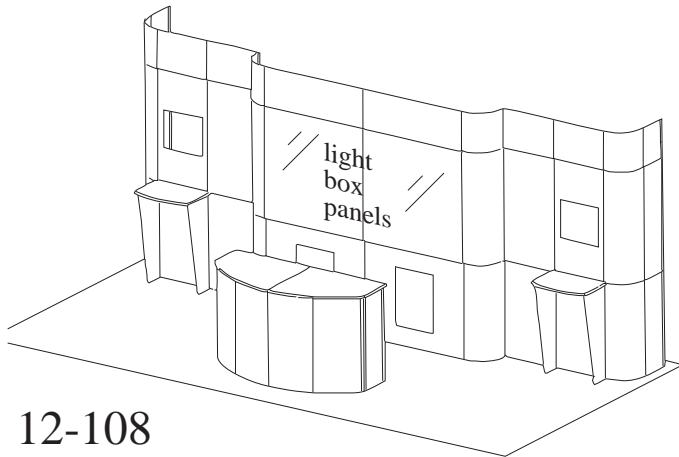
back lit header, light box panels
and podium



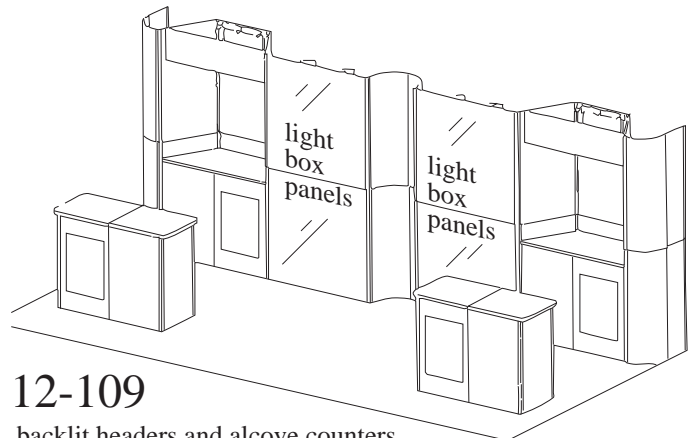
12-106
light box panels
and counters



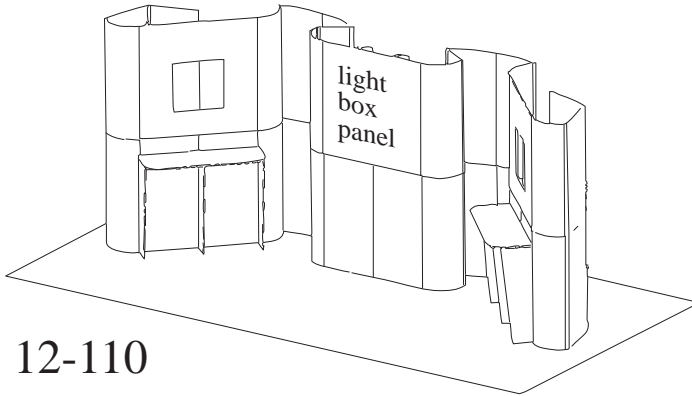
12-107
light box panels, monitor cut-outs
counters and podiums



12-108
light box panels, monitor cut-outs
counters and podium

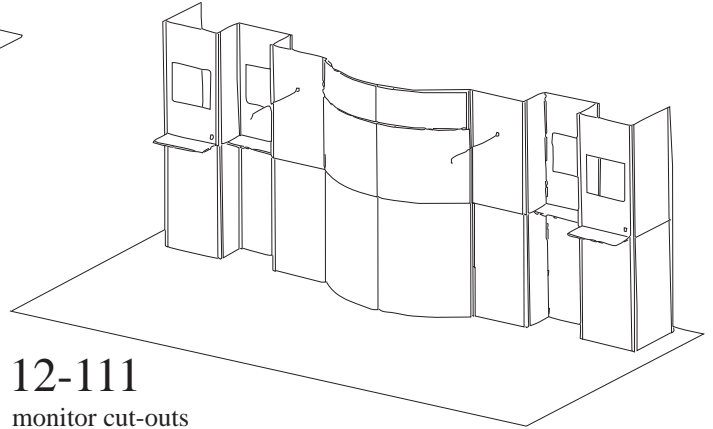


12-109
backlit headers and alcove counters
light box panels and podiums



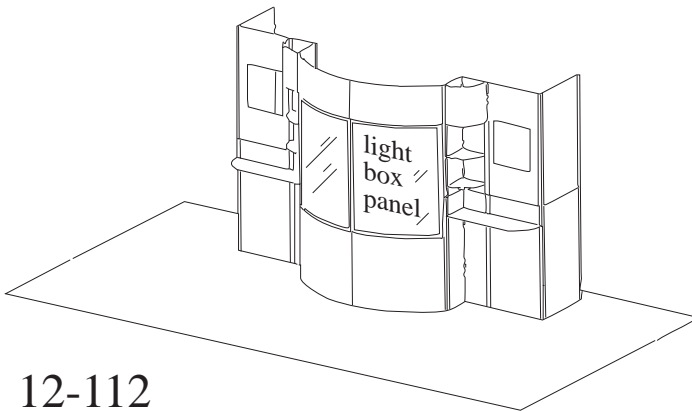
12-110

light box panel, monitor cut-outs
and counters



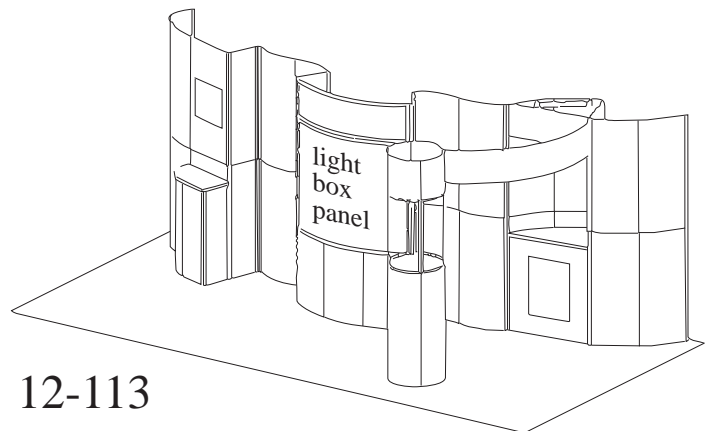
12-111

monitor cut-outs
and counters, lights



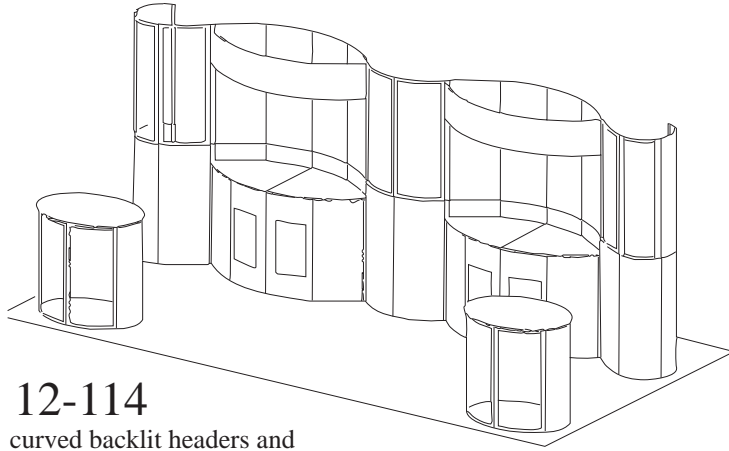
12-112

light box panels, monitor cut-outs
and counters and shelves



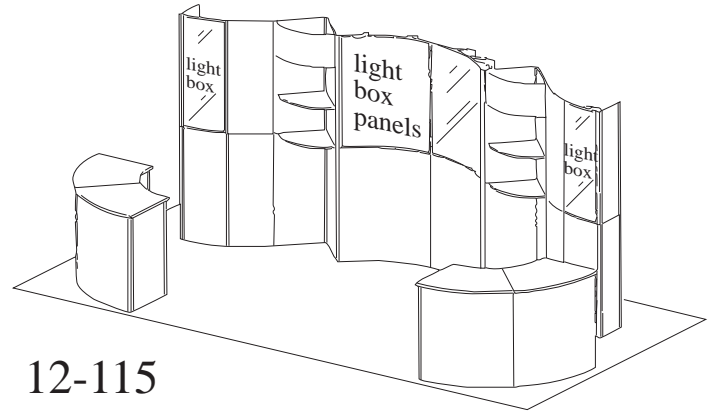
12-113

light box panels, monitor cut-out
and counters backlit header, alcove counter
bridge and showcase tower



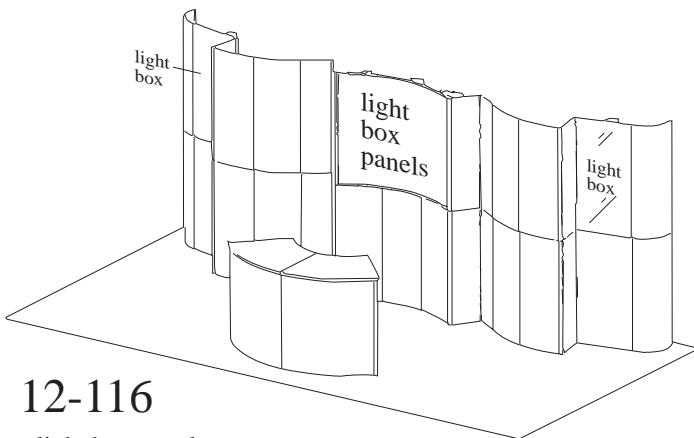
12-114

curved backlit headers and
curved alcove counters
showcase ends and podiums



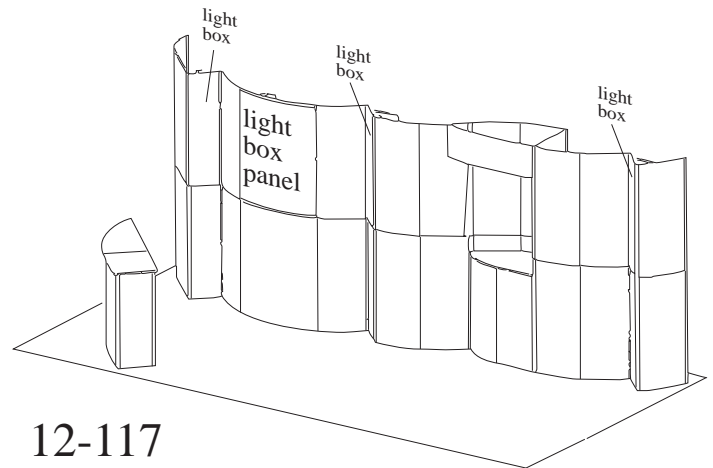
12-115

light box panels, shelves
and podiums



12-116

light box panels
and podium



12-117

light box panels, header and alcove counter
and podium