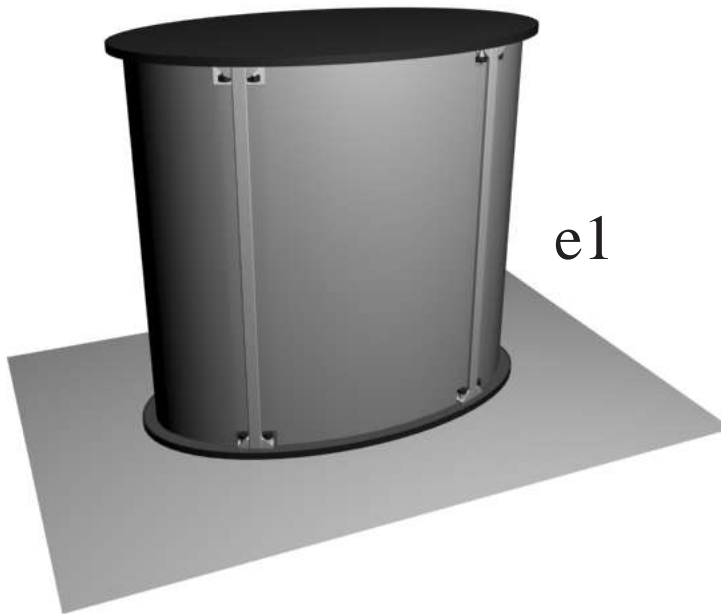




# PEDSTALS



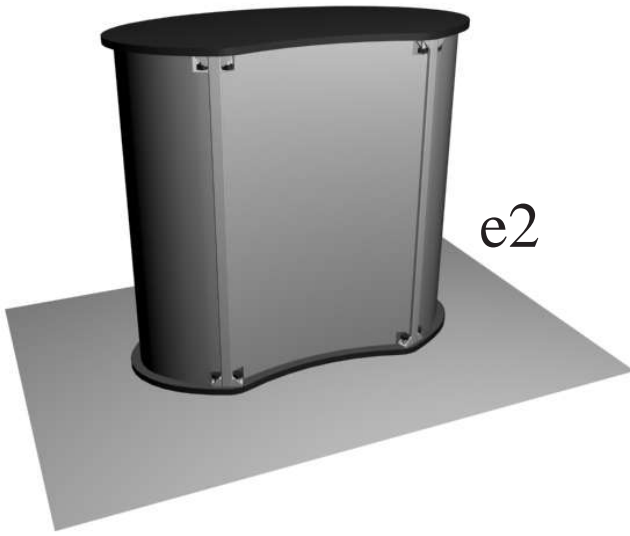
e1-1



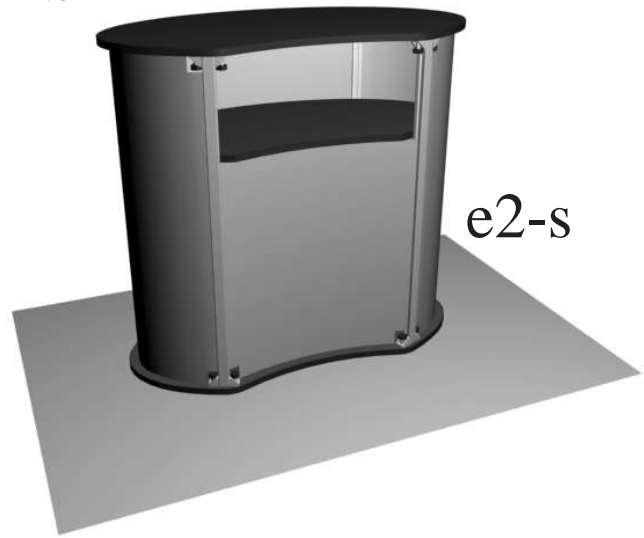
e1



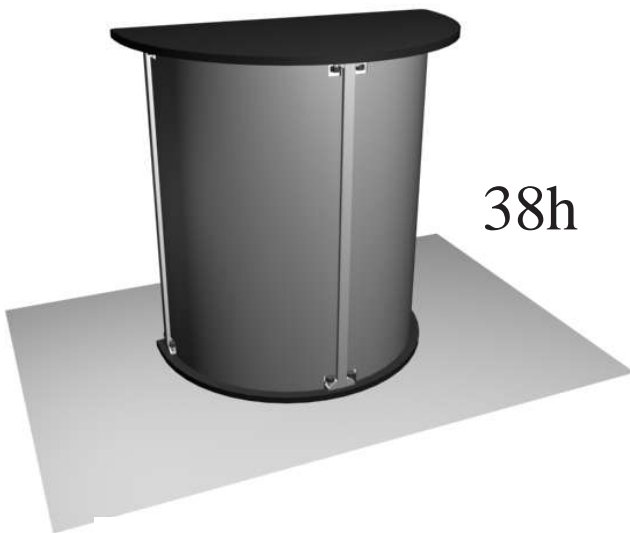
# PEDSTALS



e2



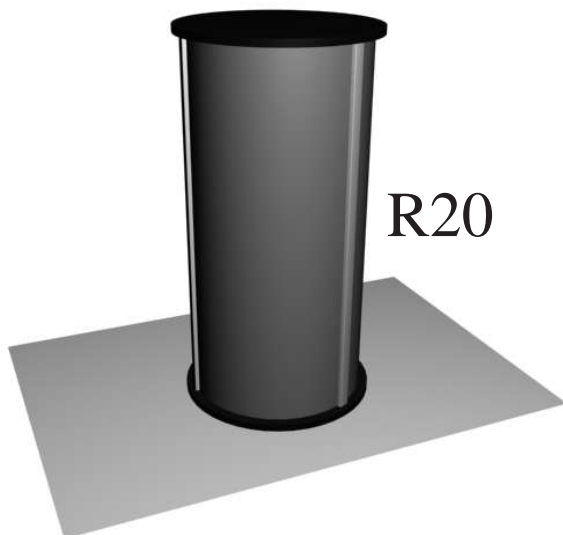
e2-s



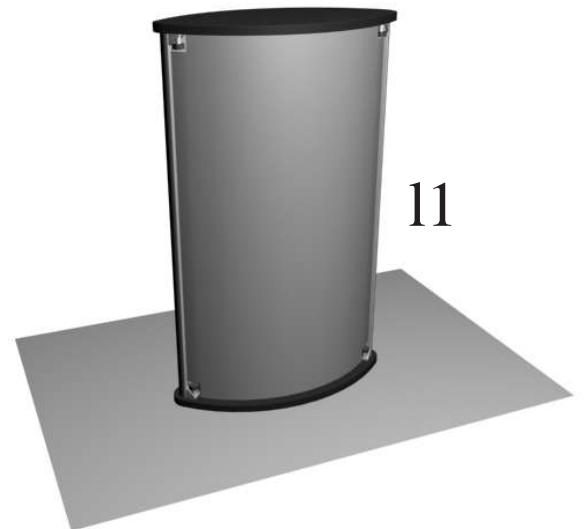
38h



38-h-shelf



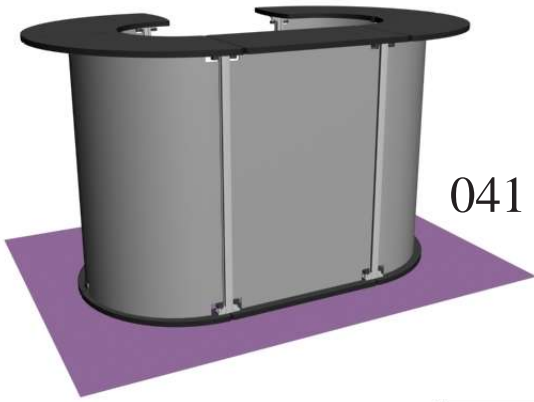
R20



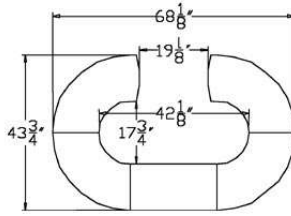
11



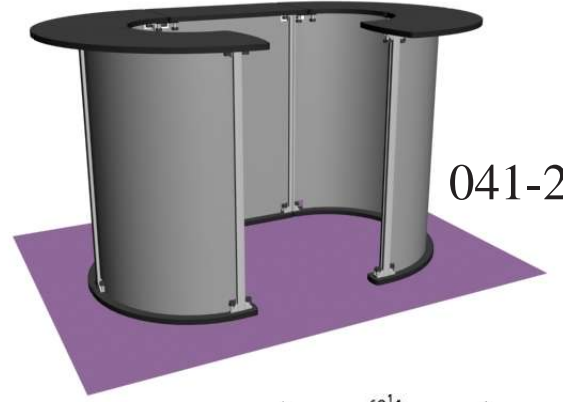
# COUNTERS



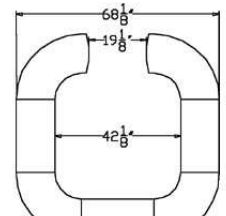
041



041 plan



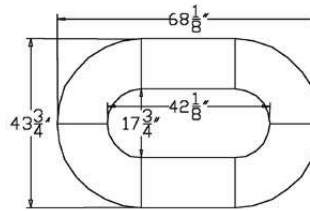
041-2



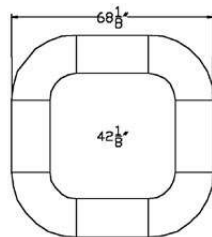
043 plan



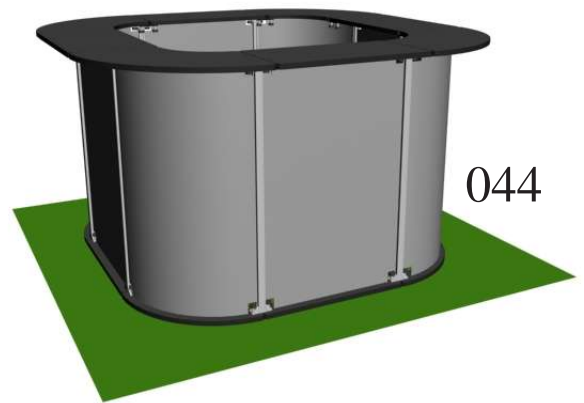
042



042 plan



044 plan



044

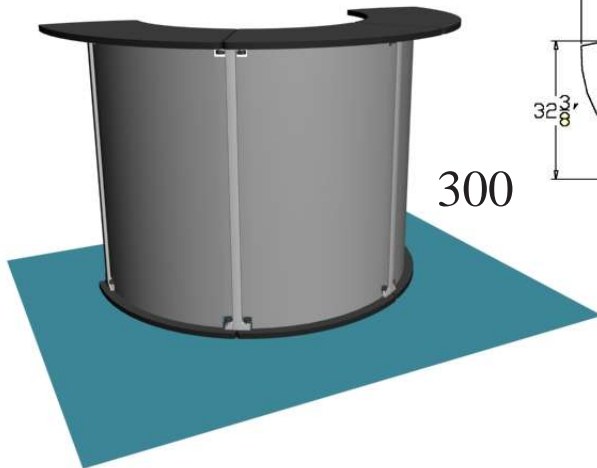


# COUNTERS

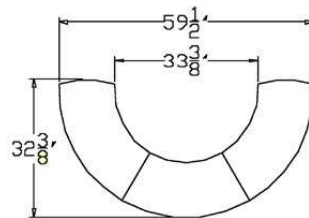
300-black



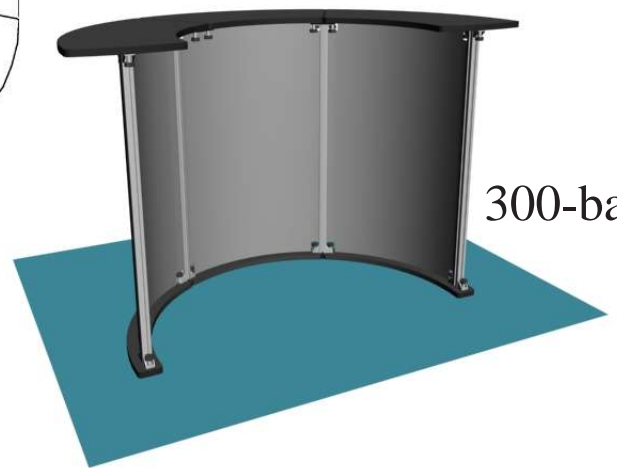
300-smoke



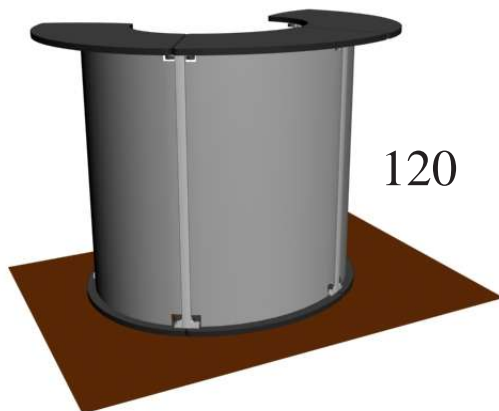
300



300 plan



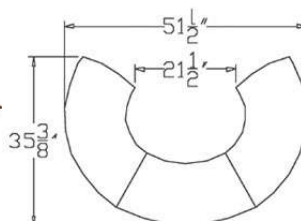
300-back



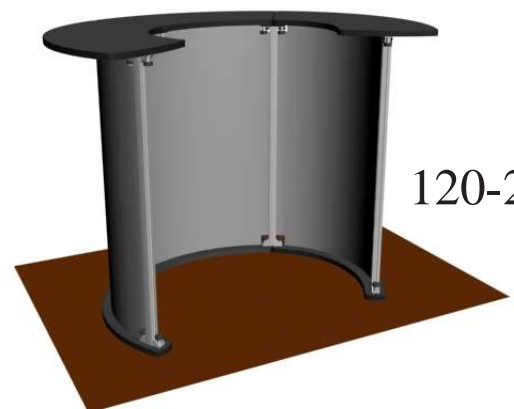
120



120-3



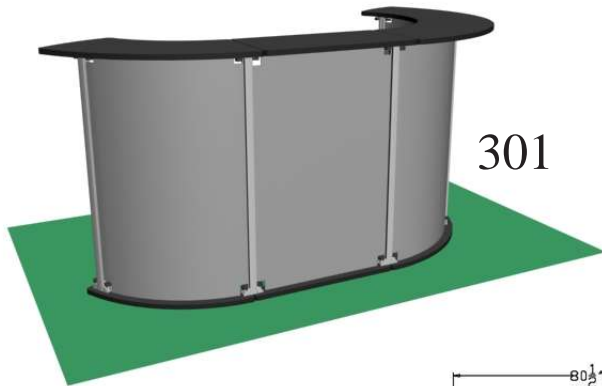
120 plan



120-2



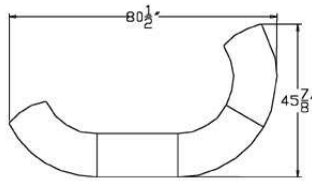
# COUNTERS



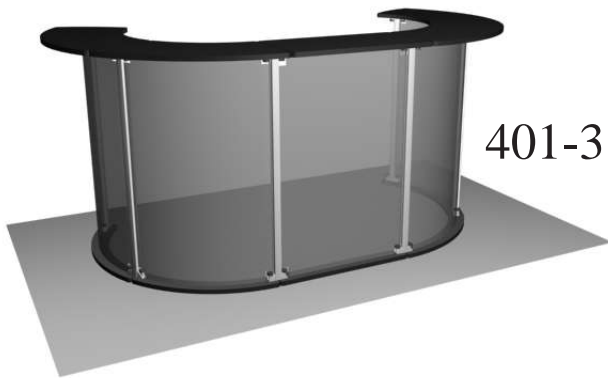
301



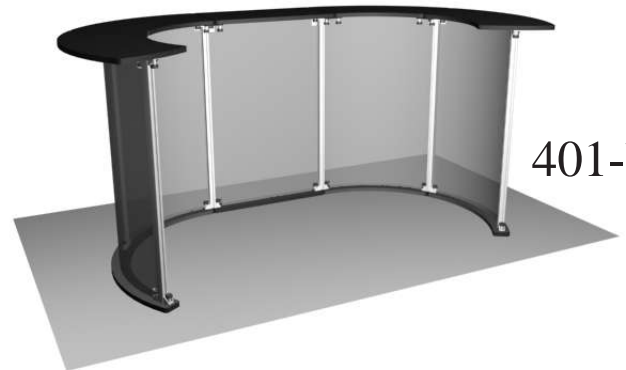
301-2



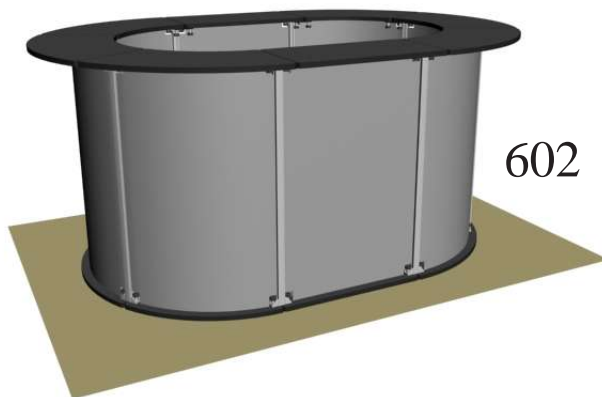
301 plan



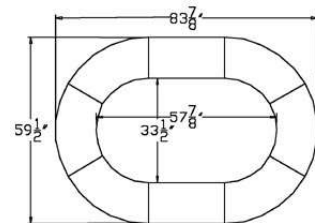
401-3



401-back



602



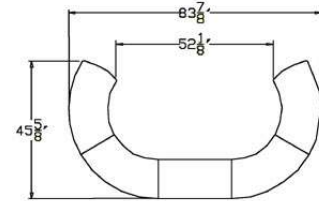
602 plan



# COUNTERS



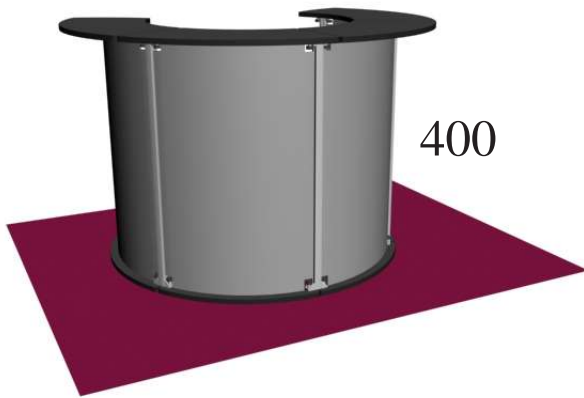
401-white-smoke



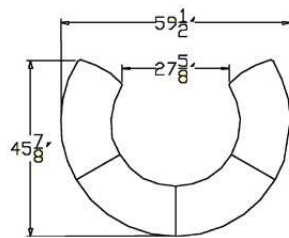
401 plan



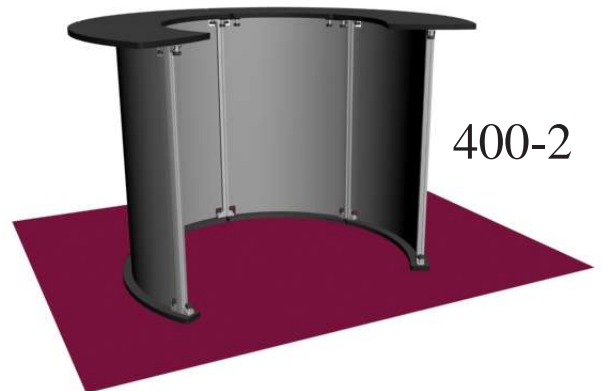
401



400



400 plan

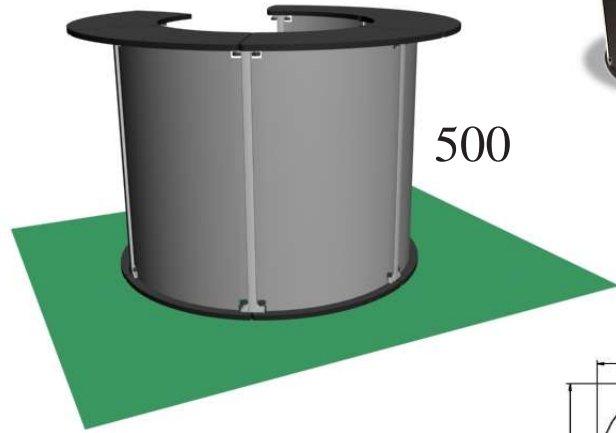


400-2

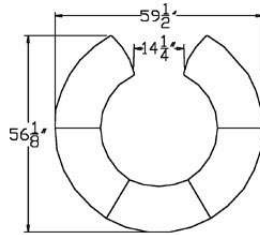


# COUNTERS

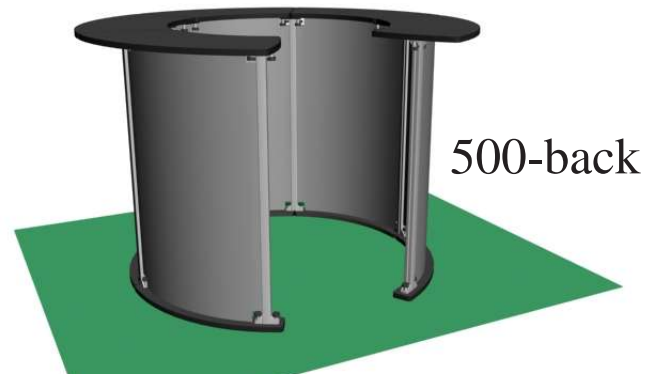
500-black-smoke



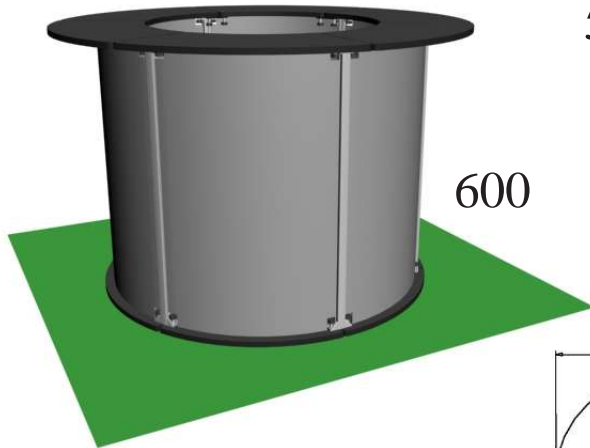
500



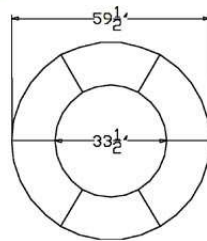
500 plan



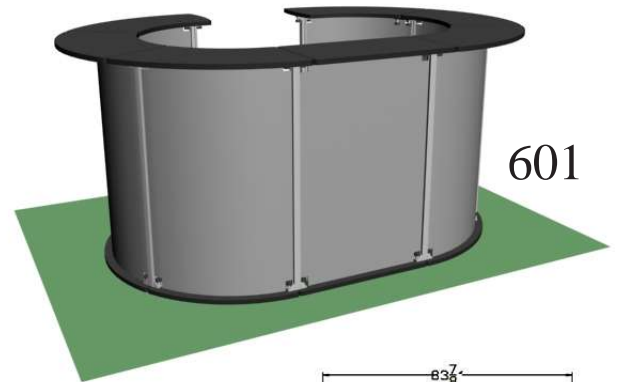
500-back



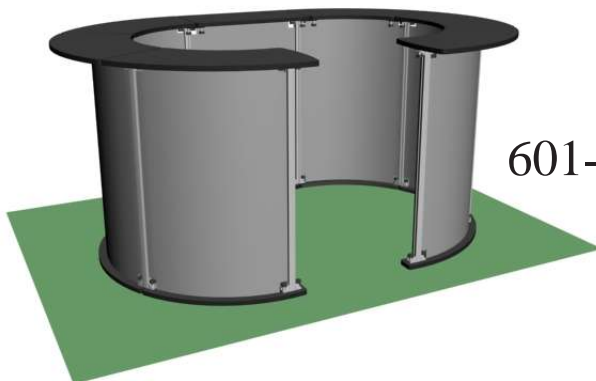
600



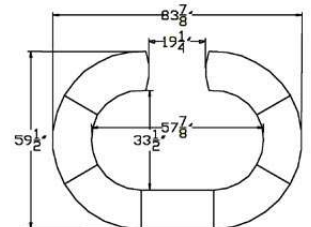
600 plan



601



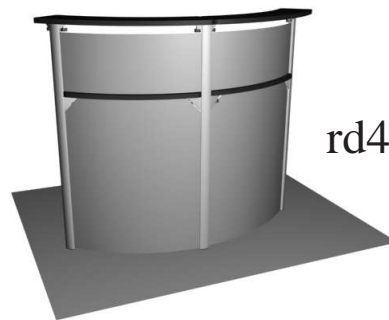
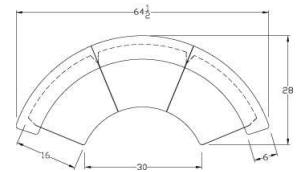
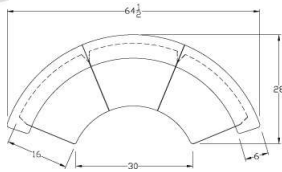
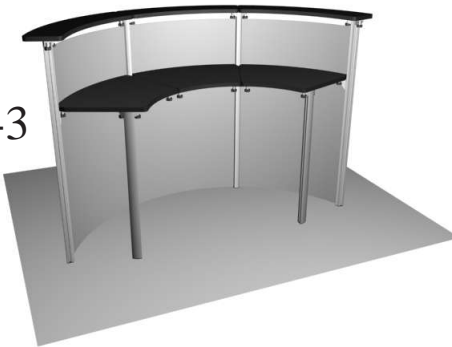
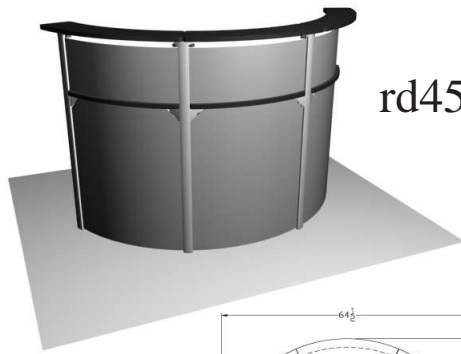
601-2



601 plan



# RECEPTION COUNTERS





# RECEPTION COUNTERS

